



Highgrade
<http://www.highgrade.com.tw>

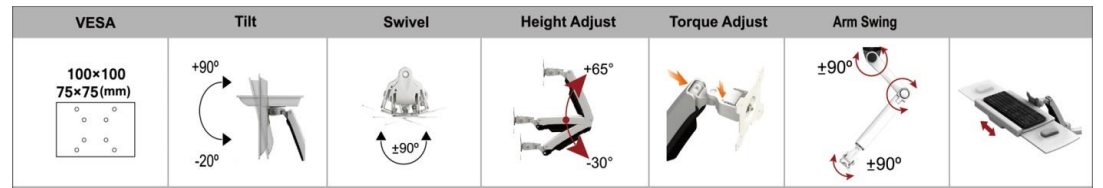
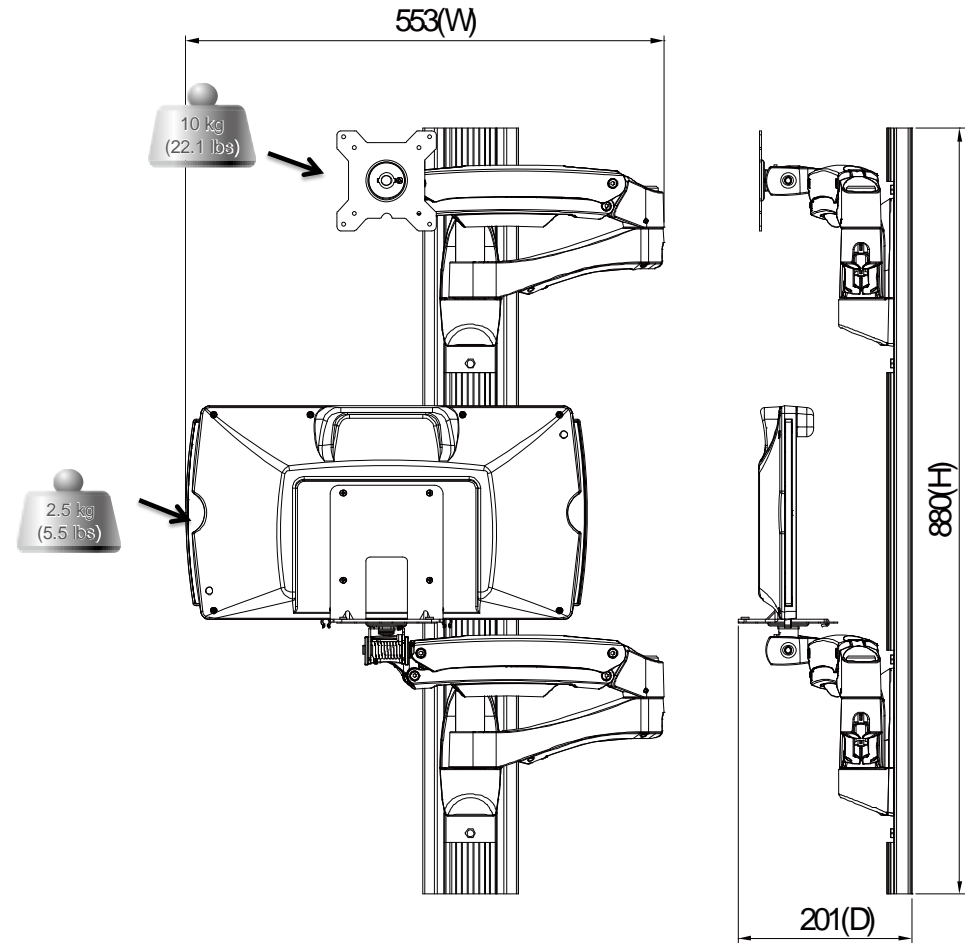
Model Name:W8822
Issus Date:2016/01/30(D)

Complete System

Net Weight	10.50 kg (23.15lbs)
Dimension(W*H*D)	553 x 880 x 201mm (21.77" x 34.65" x 7.91")
Screw Type	M4
Material	Steel/Aluminum Alloy/Plastic

Display System

Hinge Module	Swivel(Hinge)	+/-90°
	Tilt(Hinge)	-20° ~ + 90°
	Tilt(Keyboard)	0 ~ 90°
	Pivot	360°
	User Torque Adjust	Available
Display Support	Mounting Pattern	100x100 / 75x75 mm
	Display Type	Singal Monitor
	Panel Size Support	≤24"
	Support Weight (Per Arm)	10kg(22.1lbs)
	Support Weight (Keyboard)	2.5kg(5.5lbs)
Height Adjust	Height Adjustment Range (Per Arm)	315 mm (12.40")
	Tension Torque Adjust	Yes
	Tilt (Per Arm)	- 30° ~ + 65°
Max.Working Space	449 x 207 mm (17.68" X 8.15") for Keyboard Tray	
Extended Arm Provided	2 / 2	
Cable Management	Yes	

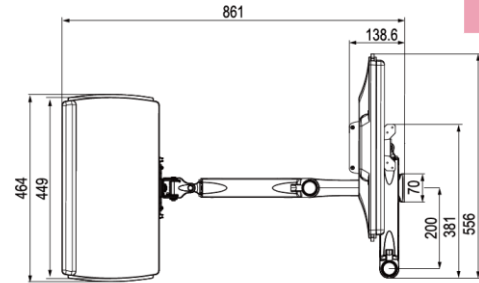
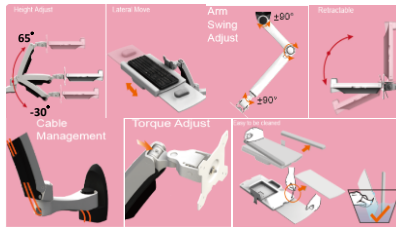
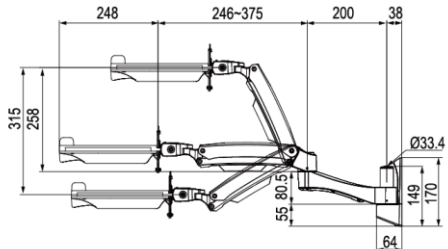




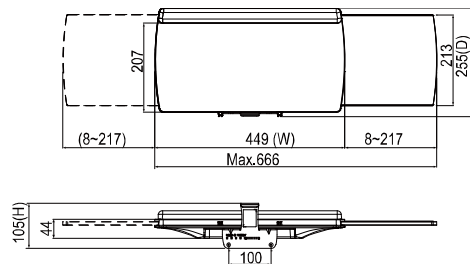
Hi-grade
<http://www.highgrade.com.tw>

Model Name:W8822
Issus Date:2016/01/30(D)

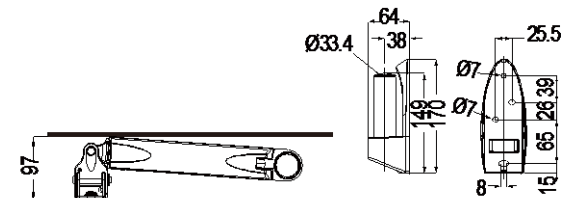
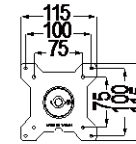
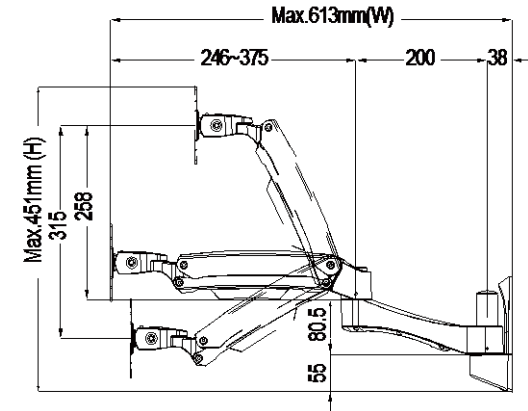
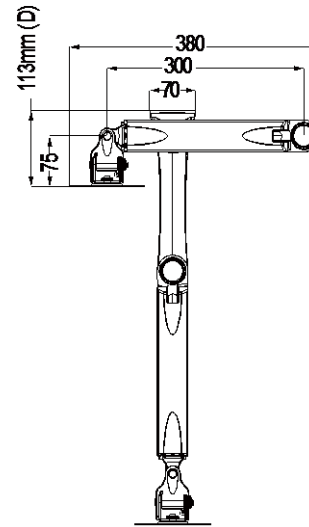
Keyboard ARM



Keyboard Tray



Monitor ARM



Mouse Holder

