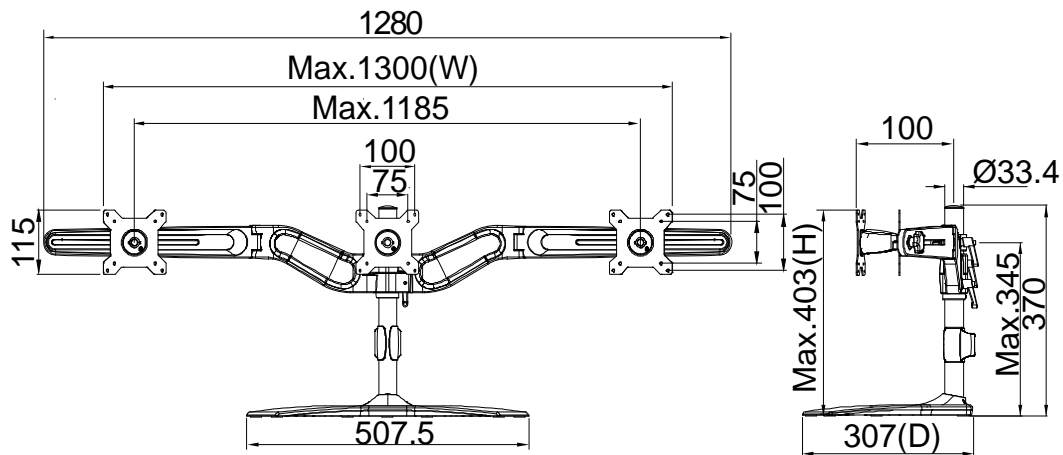




**Highgrade**  
<http://www.highgrade.com.tw>

**Model Name: TS743A**  
**Issus Date: 2016/01/30(C)**



**Complete System**

|                  |  |
|------------------|--|
| Net Weight       | 5.30 Kg (11.69lbs )                              |
| Dimension(W*H*D) | 1300 x 403 x 307 mm ( 51.18" x 15.87" x 12.09" ) |
| Screw Type       | M4   |
| Material         | Steel/Aluminum Alloy/Plastic                     |

**Display System**

|                  |                               |                    |
|------------------|-------------------------------|--------------------|
| Hinge Module     | Swivel                        | +/-20°             |
|                  | Tilt                          | +/-20°             |
|                  | Pivot                         | 360°               |
|                  | User Torque Adjust            | Available          |
| Display Support  | Mounting Pattern              | 100x100 / 75x75 mm |
|                  | Display Type                  | Triple Monitor     |
|                  | Panel Size Support            | ≤ 24"              |
|                  | Support Max. Weight           | 8Kg(17.63lbs)      |
| Height Adjust    | Height Adjustment Range(Max.) | 345 mm (13.58")    |
| Cable Management | Yes                           |                    |

