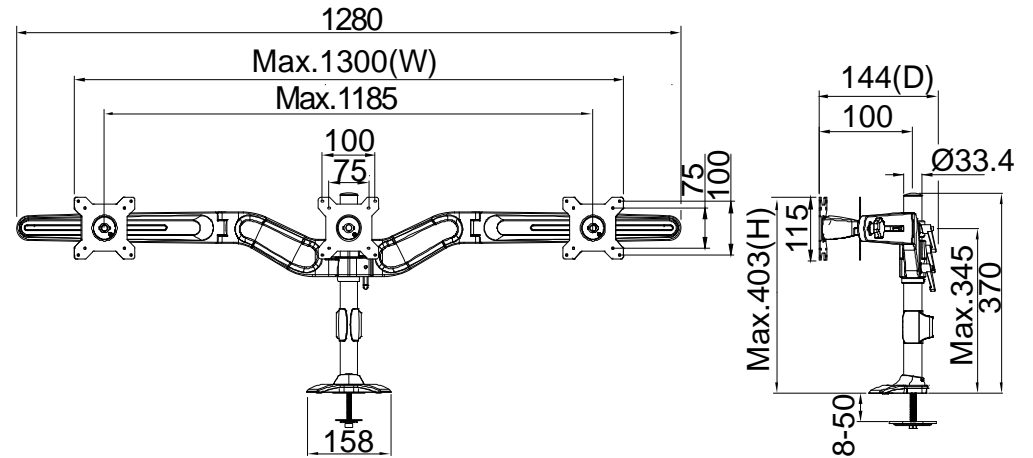




**Highgrade**

<http://www.highgrade.com.tw>

**Model Name:TI743A**  
**Issus Date:2016/01/30(C)**



**Complete System**

Net Weight	4.75 Kg (10.47lbs)
Dimension(W*H*D)	1300 x 403 x 144mm ( 51.18" x 15.87" x 5.67" )
Screw Type	M4
Material	Steel/Aluminum Alloy/Plastic

**Display System**

Hinge Module	Swivel	+/-20°
	Tilt	+/-20°
	Pivot	360°
	User Torque Adjust	Available
Display Support	Mounting Pattern	100x100 / 75x75 mm
	Display Type	Triple Monitor
	Panel Size Support	≤ 24"
	Support Max. Weight	8Kg(17.63lbs)
Height Adjust	Height Adjustment Range(Max.)	345 mm (13.58")
Cable Management	Yes	

