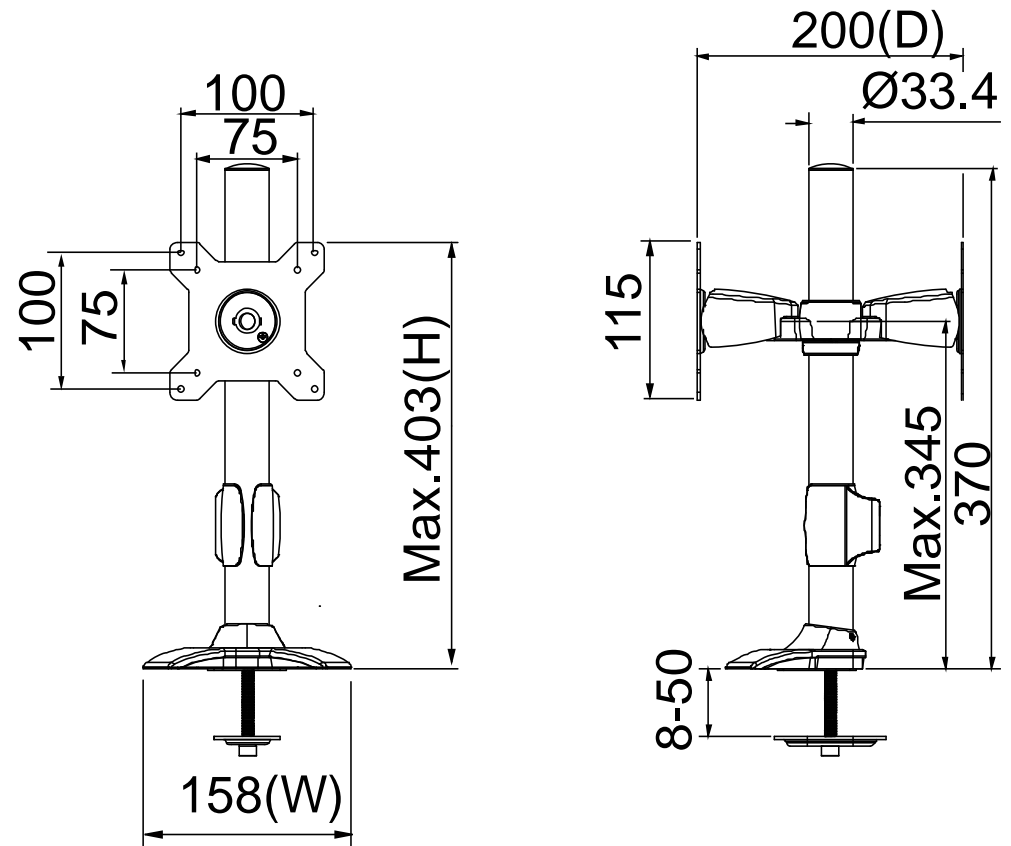




Highgrade
<http://www.highgrade.com.tw>

Model Name:TI022
Issus Date:2016/01/30(C)



Complete System		
Net Weight	2.45 Kg (5.40lbs)	
Dimension(W*H*D)	158 x 403 x 200 mm (6.22" x 15.87" x 7.87")	
Screw Type	M4	
Material	Steel/Aluminum Alloy/Plastic	
Display System		
Hinge Module	Swivel(Hinge)	+/- 20°
	Tilt(Hinge)	+/- 20°
	Pivot	360°
	User Torque Adjust	Available
Display Support	Mounting Pattern	100x100 / 75x75 mm
	Display Type	Dual Monitor
	Panel Size Support	≤ 24"
	Support Max. Weight	8 Kg(17.6lbs)
Height Adjust	Height Adjustment Range(Max.)	345 mm (13.58")
Cable Management	Yes	

Screen	VESA	Tilt	Swivel	Rotate	Cable Management	Height Adjust	Torque Adjust