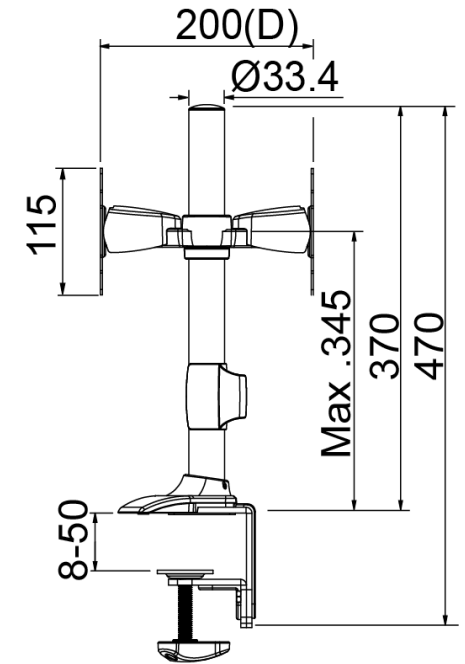
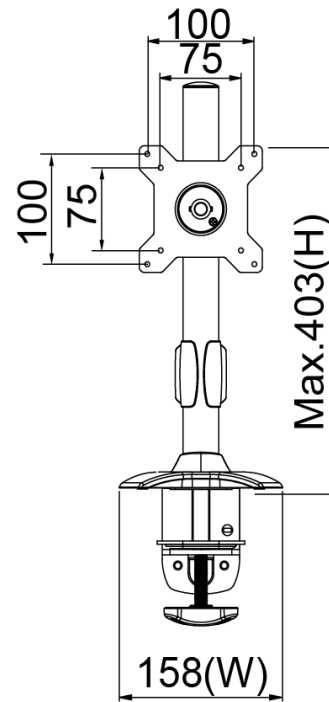




H. grade
<http://www.highgrade.com.tw>

Model Name:TC022
Issus Date:2016/01/30(D)



Complete System		
Net Weight	2.46 Kg (5.42lbs)	
Dimension(W*H*D)	158 x 403 x 200 mm (6.22" x 15.87"x7.87")	
Screw Type	M4	
Material	Steel/Aluminum Alloy/Plastic	
Display System		
Hinge Module	Swivel	+/-20°
	Tilt	+/-20°
	Pivot	360°
	User Torque Adjust	Available
Display Support	Mounting Pattern	100x100 / 75x75 mm
	Display Type	Dual Monitor
	Panel Size Support	≤24"
	Support Max. Weight	8 Kg(17.6 lbs)
Height Adjust	Height Adjustment Range(Max.)	345 mm (13.58")
Cable Management	Yes	

Kensington Lock



Screen	VESA	Tilt	Swivel	Rotate	Cable Management	Height Adjust	Torque Adjust