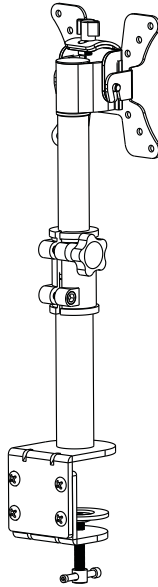


Installation Instruction



UNPACKING INSTRUCTIONS

- Carefully open the carton, remove contents and lay out on cardboard or other protective surface to avoid damage.
- Check package contents against the Supplied Parts List in the next page to assure that all components were received undamaged. Do not use damaged or defective parts.
- Carefully read all instructions before attempting installation.

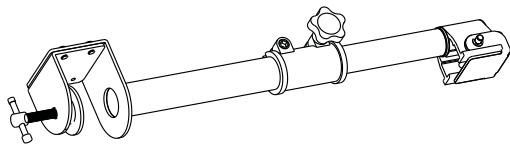
IMPORTANT SAFETY INFORMATION

Install and operate this device with care. Please read this instruction before beginning the installation, and carefully follow all instructions contained herein. Use proper safety equipment during installation.

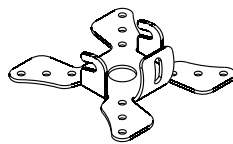
- Please call a qualified installation contractor for help if you don't understand these directions or have any doubts about the safety of the installation.

Do not use this product for any purpose or in any configuration not explicitly specified in this instruction. We hereby disclaims any and all liability for injury or damage arising from incorrect assembly, incorrect mounting, or incorrect use of this product.

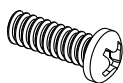
Supplied Parts List



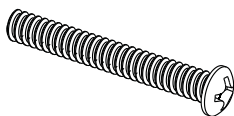
(1) Desk Bracket Assembled-a



(1) Mornitor Bracket-b



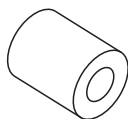
(4) M4x12 Bolt-c



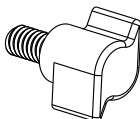
(4) M4x30 Bolt-d



(8) M4 Washer-e



(4) M4 Space-f



(1) Safety Knob-g

Tools Required

Phillips Screwdriver



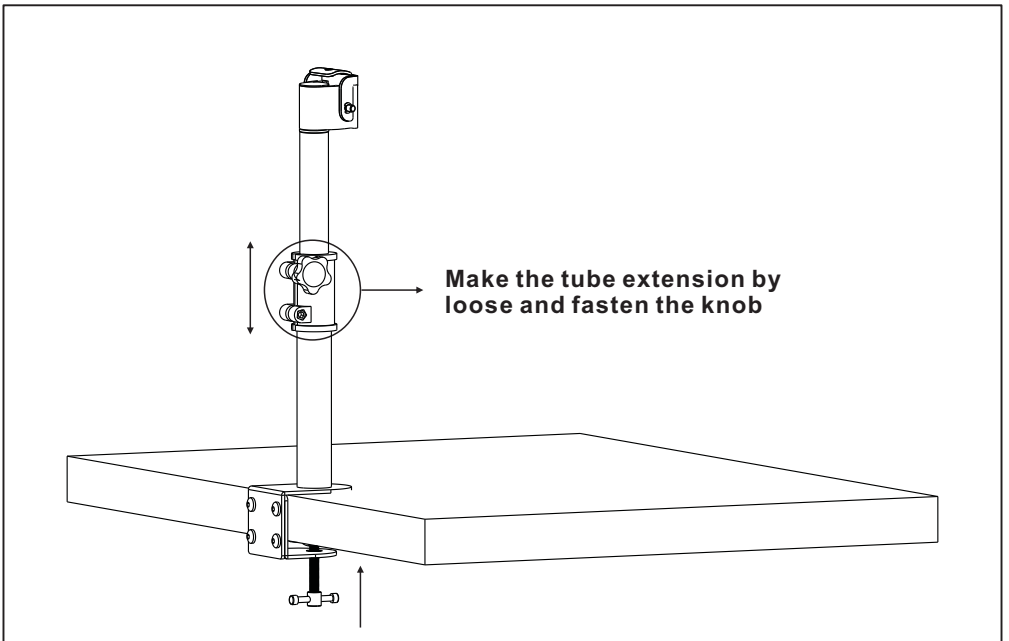
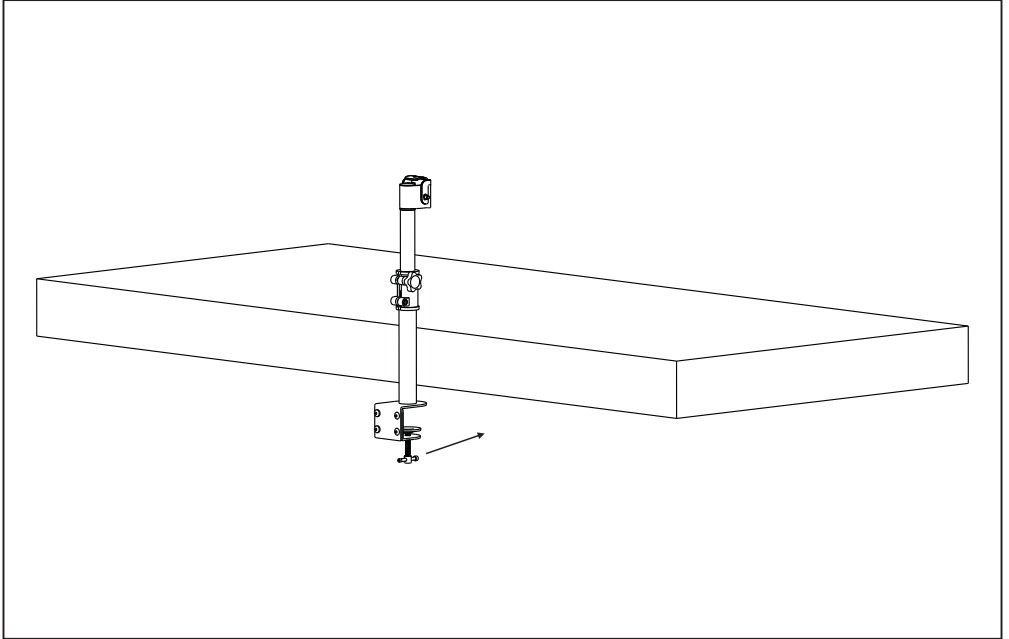
WARNING

CAUTION!

This TV Desk mount must be securely attached to the horizontal desk. If the mount is not properly installed it may fall, resulting in possible injury and/or damage.

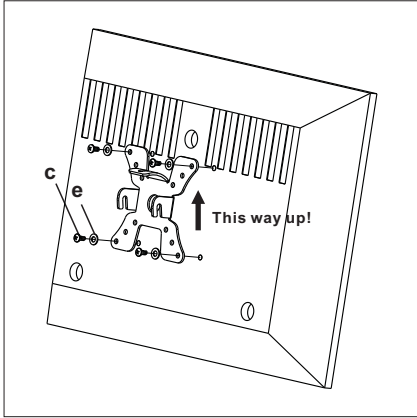
Step 1

Mounting the Bracket to the Desk

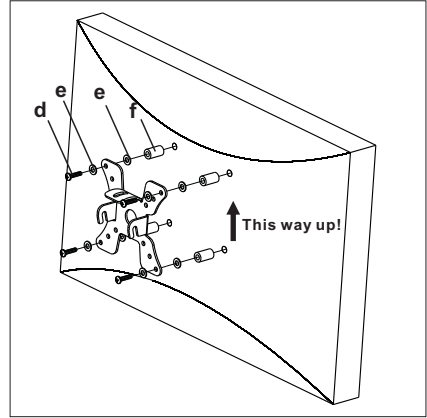


Step 2

Mounting the Monitor Bracket to a TV



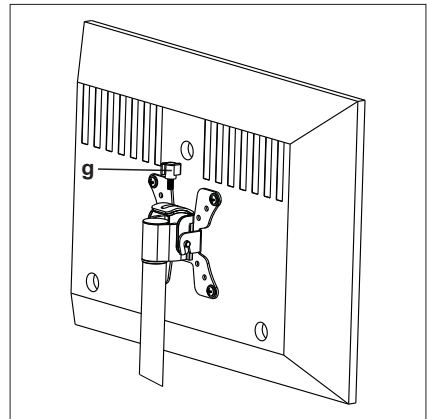
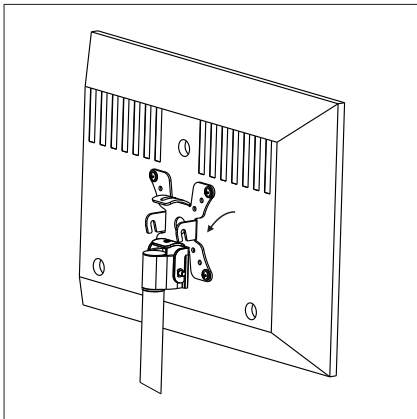
For Flat Back TV



For Curved Back TV

Step 3

Attaching TV to Desk Bracket and Adding the Knob



Thanks for choosing our products, enjoy the using.