

# Assembly Instructions for DVD/Receiver Shelves

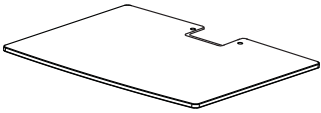
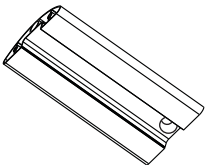
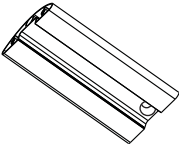
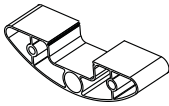
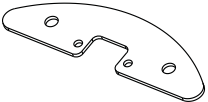
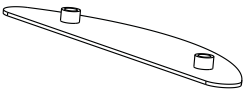
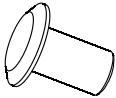
Thank you for choosing our DVD/Receiver Shelf, this shelf was designed to be mounted on the wall. And then can put DVD or receivers on the glass shelves.

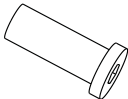


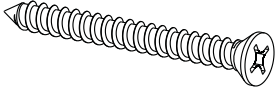
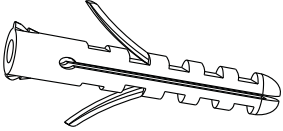
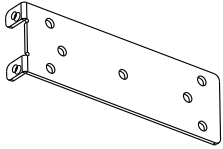
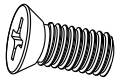
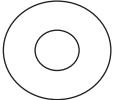
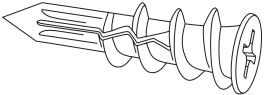
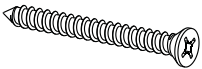
**Safety Warning:** If you do not understand these directions, or have any doubts about the safety of the installation, please call a qualified contractor. Check carefully to make sure there are no missing or defective parts. Never use defective parts. Improper installation may cause damage or serious injury. Do not use this product for any purpose that is not explicitly specified in this manual. We can not be liable for damage or injury caused by incorrect mounting, incorrect assembly, or incorrect use.

**Note:** We makes every effort to assure all necessary television mounting hardware is included. If the hardware you need is not included please consult your local hardware store.

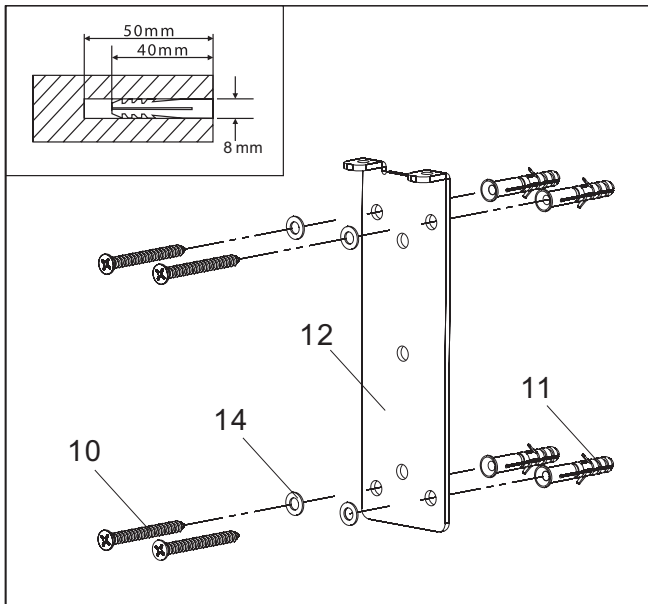
Required Tools: Phillips screw driver.

## Supplied Parts

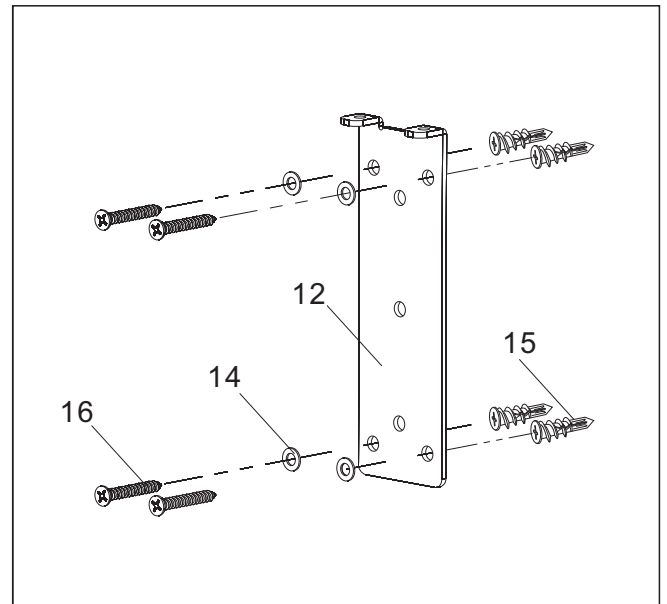
No.	Picture	Description	Quantity
1		Safety Glass Shelf	2
2A		Aluminum Support-250mm	1
2B		Aluminum Support-220mm	1
3		Aluminum Support-short	1
4		Aluminum Cover	2
5		Plastic Cover	4
6		Metal Pipe Top Head	2

No.	Picture	Description	Quantity
7		Metal Pipe Bottom Screw	2
8		Connect Metal Pipe	2
9		Hexangle Screw Driver	1
10		Lag Bolt	4
11		Concrete Anchor	4
12		Wall Plate	1
13		Connection Screw	2
14		Wash for Lag Bolt	4
15		Drywall Anchor	4
16		M4x30 Bolt	4

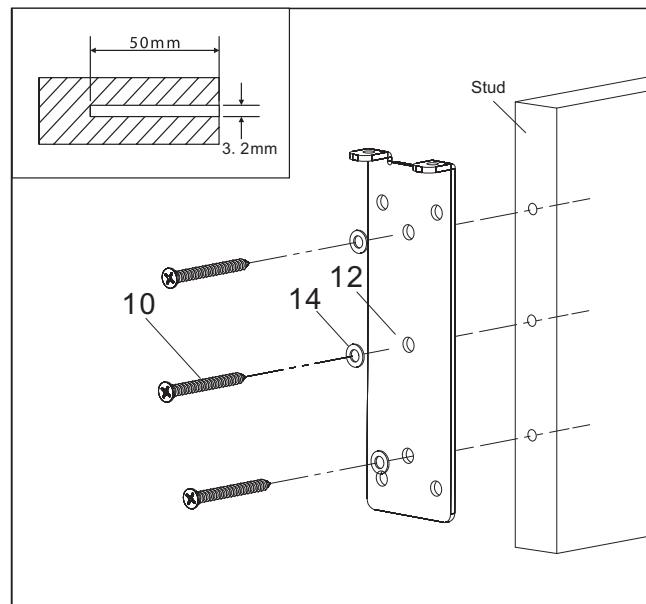
## Step 1 Mounting the Wall Plate



Concrete Wall

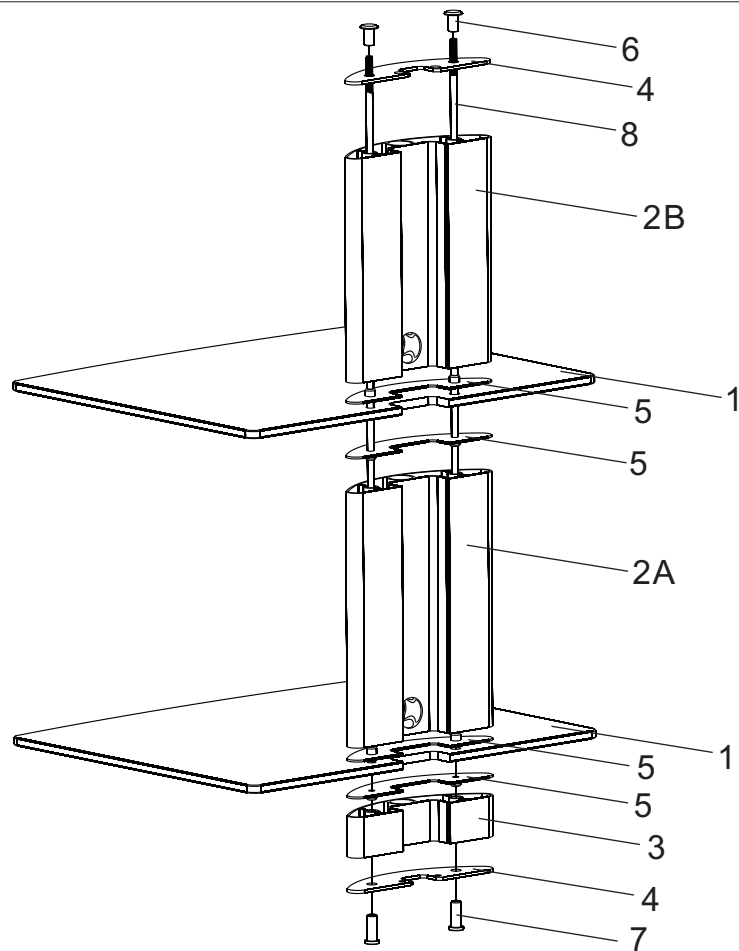


Dry Wall



Wood Stud Wall

## Step 2 Assemble



## Step 3 Attach to Wall Plate

