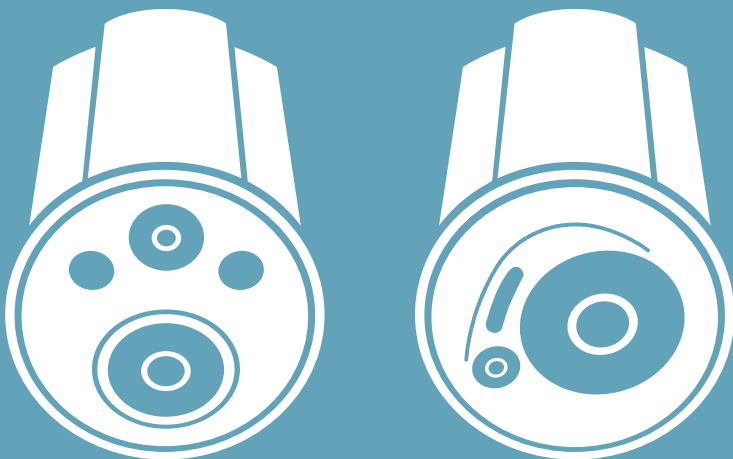


**IC-50 & IC-52
INSTALLATION GUIDE**



Congratulations on choosing Krix

Your Krix speakers are designed to reproduce the highest quality sound. To get the best performance from your speakers please read these installation instructions thoroughly as there are many factors that influence the performance of your speakers. If you have any difficulties please contact one of our friendly authorised Krix dealers.

SETUP IN BRIEF

The following setup procedure will help you achieve the best performance from your in-ceiling speaker:

1. Unpacking

Remove your speaker from the packaging

2. Introduction

Learn about the IC-50 and IC-52

3. Before you begin

Determine a suitable location for your speakers

4. Installation

Cut mounting hole, connect cabling and install speaker

5. Listen and enjoy

Listen to your favourite music/movies and enjoy

Disclaimer

Drilling into anything can be dangerous. You should make sure you know what is behind or inside the surface that you are drilling before you start to drill. For example, you might strike an electrical cable.

You must install the speaker securely to the surface that you are fixing it to. If you don't, injury or damage may occur.

If you do not feel entirely confident about installing this product, contact a professional installer.

To the extent permissible by law:

All warranties, conditions, representations, promises and statements relating howsoever to this product whether express or implied and whether in contract or tort are excluded to the extent permitted by law; and

Our liability to you under a condition or warranty (if any) implied into this sale and purchase agreement relating to these speakers by the Trade Practices Act 1974 (as amended) or any other law (whether a law of Australia or any other country) other than a condition implied by Section 69 of the said Act is limited at our option to:

the replacement of the product; or

the supply of an equivalent product; or

the repair of the product.

If you do not accept the above conditions, return this product (in the original packaging) with proof of purchase for a full refund.

INTRODUCTION

Introduction

The IC-50 and IC-52 are high quality in-ceiling loudspeakers featuring fully sealed back-boxes to control and maximise bass response, whilst keeping out dust and other ceiling inhabitants.

The IC-52 employs an acoustically optimised front baffle angled at 20 degrees, allowing its sound output to be projected towards your primary listening area. The IC-50 employs a flat front baffle for uniform sound coverage in all directions (figure 1).

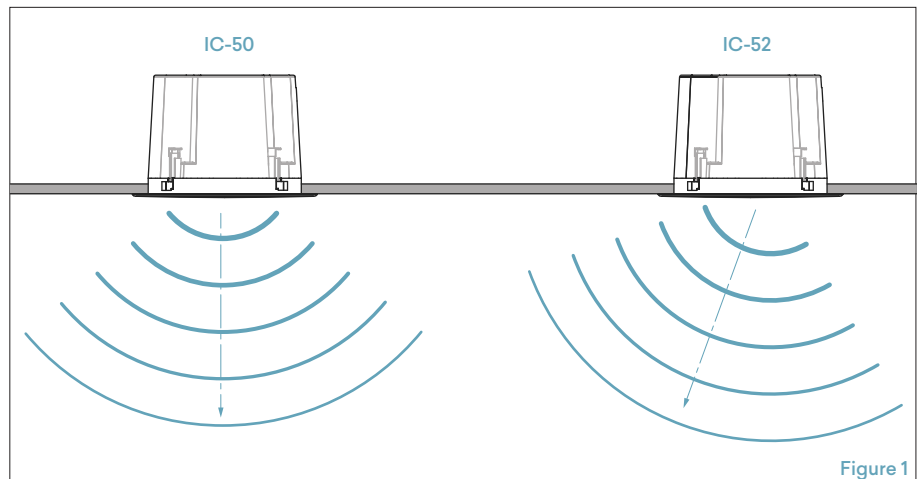


Figure 1

Applications best suited to IC-50

The wide uniform coverage of the IC-50 makes it the ideal choice for 2 channel stereo and background music applications. Its uniform coverage is ideally suited to any applications where the listening area is not confined to a specific part of the room. For examples, hallways, dining rooms, office spaces and bedrooms and multipurpose rooms (figure 2).

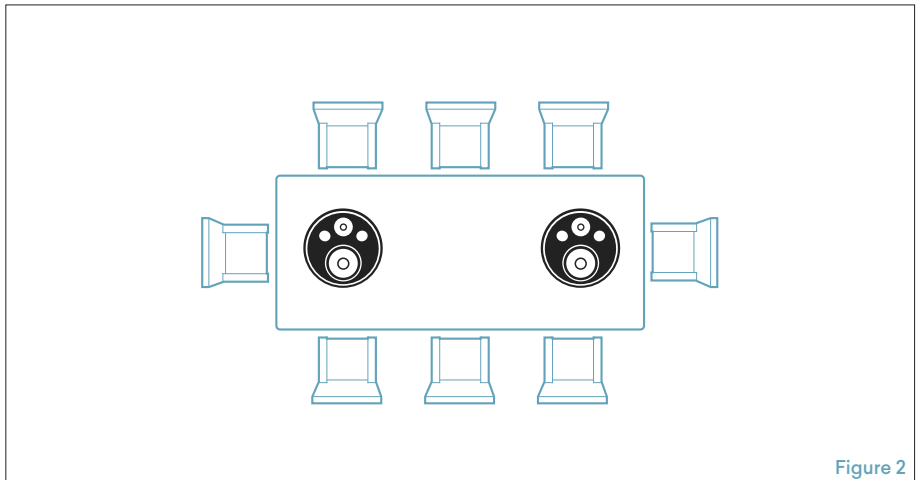


Figure 2

Applications best suited to IC-52

The ability of the IC-52 to project sound toward your primary listening area makes it ideally suited to home cinema applications (figure 3). Dialogue will become more articulate, music will have better definition and surround effects will become more involving and realistic. The IC-52's ability to direct more sound towards the listener results in less sound reflecting off walls and other surfaces in the room creating a clearer, more three dimensional soundstage. The IC-52 may also be useful for background music applications where the speakers must be placed near a side wall for aesthetic or structural reasons. In this application the IC-52 can be used to project the sound towards the centre of the room.

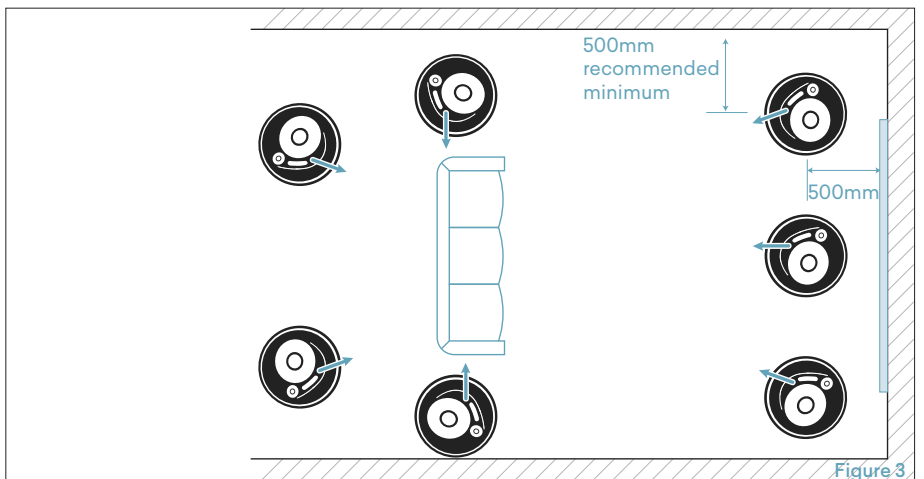


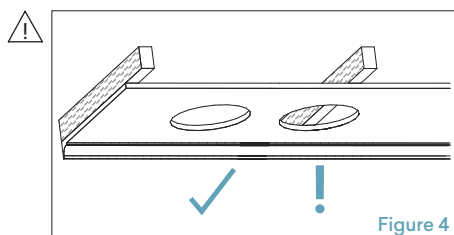
Figure 3

INSTALLATION

Before you begin

⚠ Please read the disclaimer on page 2 of this manual.

- To determine the best location for your loudspeakers, refer to page 3 of this manual and discuss with your local Krix distributor, or installation consultant. Be sure to check for any obstructions, such as electrical wiring, plumbing, stud work or air conditioning ducts before commencing the installation (figure 4).



- Also ensure that there is enough ceiling/wall space to accommodate the speaker enclosure.

Connecting

To ensure optimum performance, it is important that your speaker system is connected properly:

⚠ Turn off all electronic equipment and disconnect from the power point.

- Follow the connection instructions supplied with your amplifier, CD/DVD, media player etc.
- Install speaker cable in the wall or the ceiling cavity. Allow approximately 300mm of excess cable to facilitate the loudspeaker installation.
- Follow the connection instructions supplied with your amplifier to connect the speaker cables to amplifier. Take care to assign the same cable colour or trace to the positive (+) connector on the amplifier as the positive (+) connector on the speaker.
- Prepare the speaker cables for connecting to speakers by neatly stripping the cable ends.

⚠ Care should be taken to eliminate loose strands of wire that may present a short circuit hazard.

Installation

- Once the correct placement has been determined, use the cardboard insert marked 'template' (from the internal packing) to trace the required cut-out onto the ceiling/wall (figure 7).
- Drill a hole inside the marked cut-out. Using a fine gyprock saw, cut around the inside of the marked cut-out (figure 8).
- Remove the circular offcut and insert the speaker to check the hole is the correct size. Enlarge the cut-out if required.

⚠ **IC-52 only:** Determine the correct orientation for your speaker. A small arrow embossed in the front baffle marks the direction of the speaker's primary coverage. It is recommended that this arrow is aimed towards your primary listening area for best results (figure 3, figure 9).

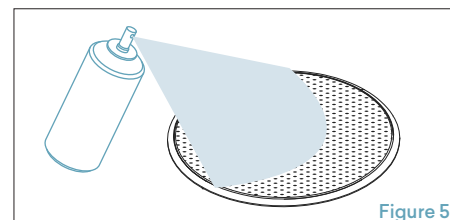
- Pull the stripped speaker cable through the ceiling/wall opening. Push and hold down the positive (+) red binding post on the speaker and insert the positive (+) wire through the hole in the post. Take care to assign the same cable colour or trace to the positive (+) connector on the amplifier, as the positive (+) connector on the speaker. Repeat the connection process with the negative (-) black binding post and the negative (-) wire (figure 10).
- Ensure all the mounting clamps are swung back against the speaker enclosure (figure 10), so that the speaker can be easily inserted into the ceiling cut-out. Once the speaker has been located in the ceiling/wall, use a Phillips head screwdriver to tighten all the mounting screws. As the screws are tightened, the mounting clamps will automatically swing out over the plaster board and clamp the speaker in place. Be careful not to overtighten the screws, as this may strip the clamp, or crush the plaster board surface (figure 11).
- Gently fit the magnetic grille to the front of the speaker housing (figure 12).

Painting

- If the speaker grille requires painting it is recommended to use a spray can for ease of application. Alternatively, it is possible to apply acrylic or enamel paint using a small foam roller but this will require more applications to achieve a good result.

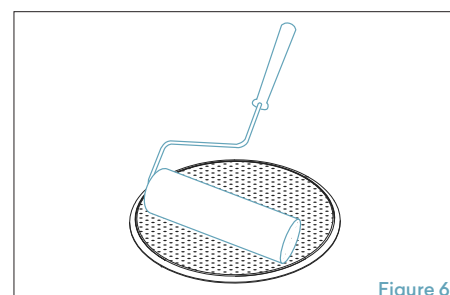
Spray can application

- Use a spray can to apply a light coat of paint. Rotate the product at 90° intervals and apply three more light coats to ensure an even coverage (figure 5).
- Be careful in applying single heavy coats of paint as there is a higher probability of blocking the holes in the grille. If the grille does become blocked by paint, use a small pin or similar to release the blockage, while the paint is still wet.

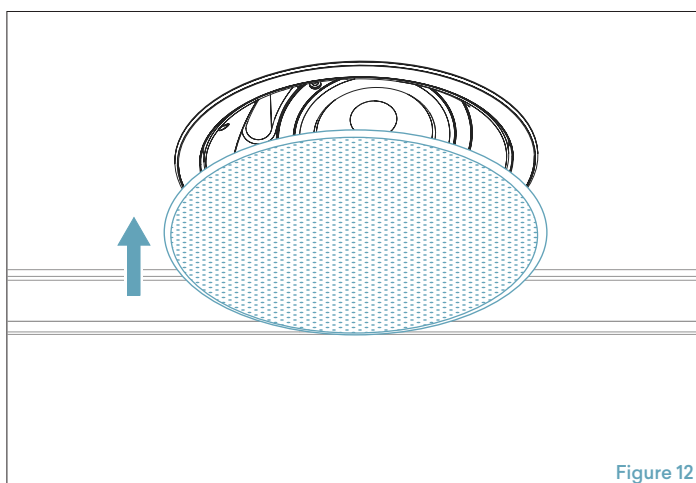
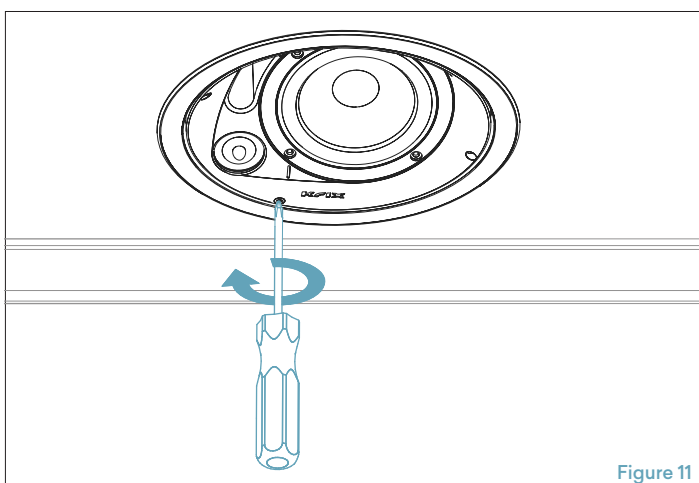
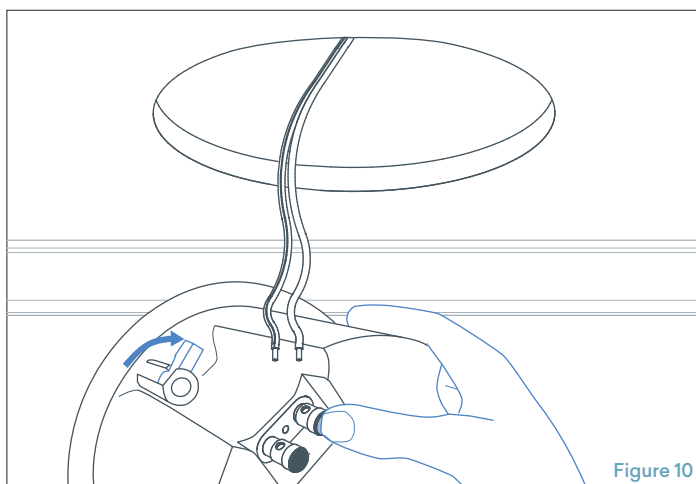
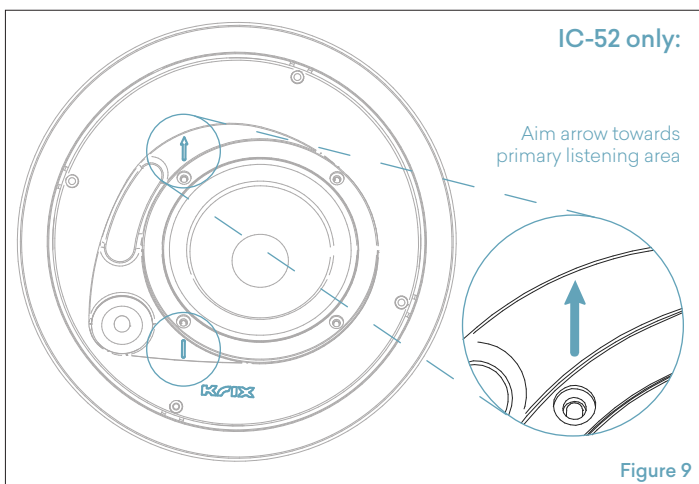
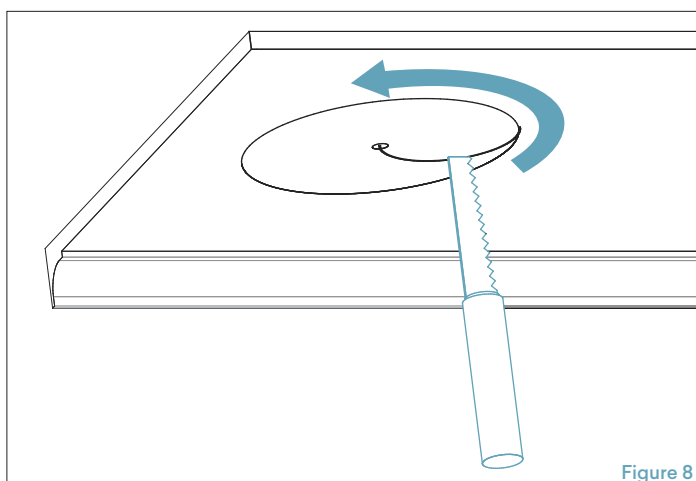
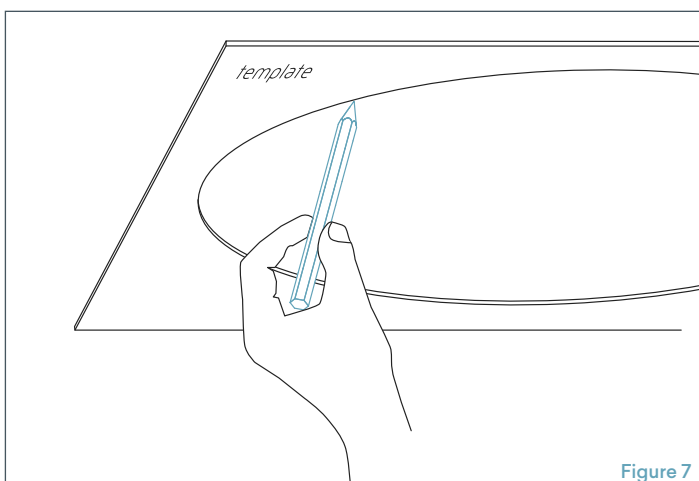


Roller application

- Load a foam roller with a light coverage of thin paint and then roll onto the grille. Try to avoid blocking the holes in the grille. If the grille does become blocked by paint, use a small pin or similar to release the blockage, while the paint is still wet.
- Allow the paint to dry. Apply three or more light coats to ensure an even coverage (figure 6).



INSTALLATION



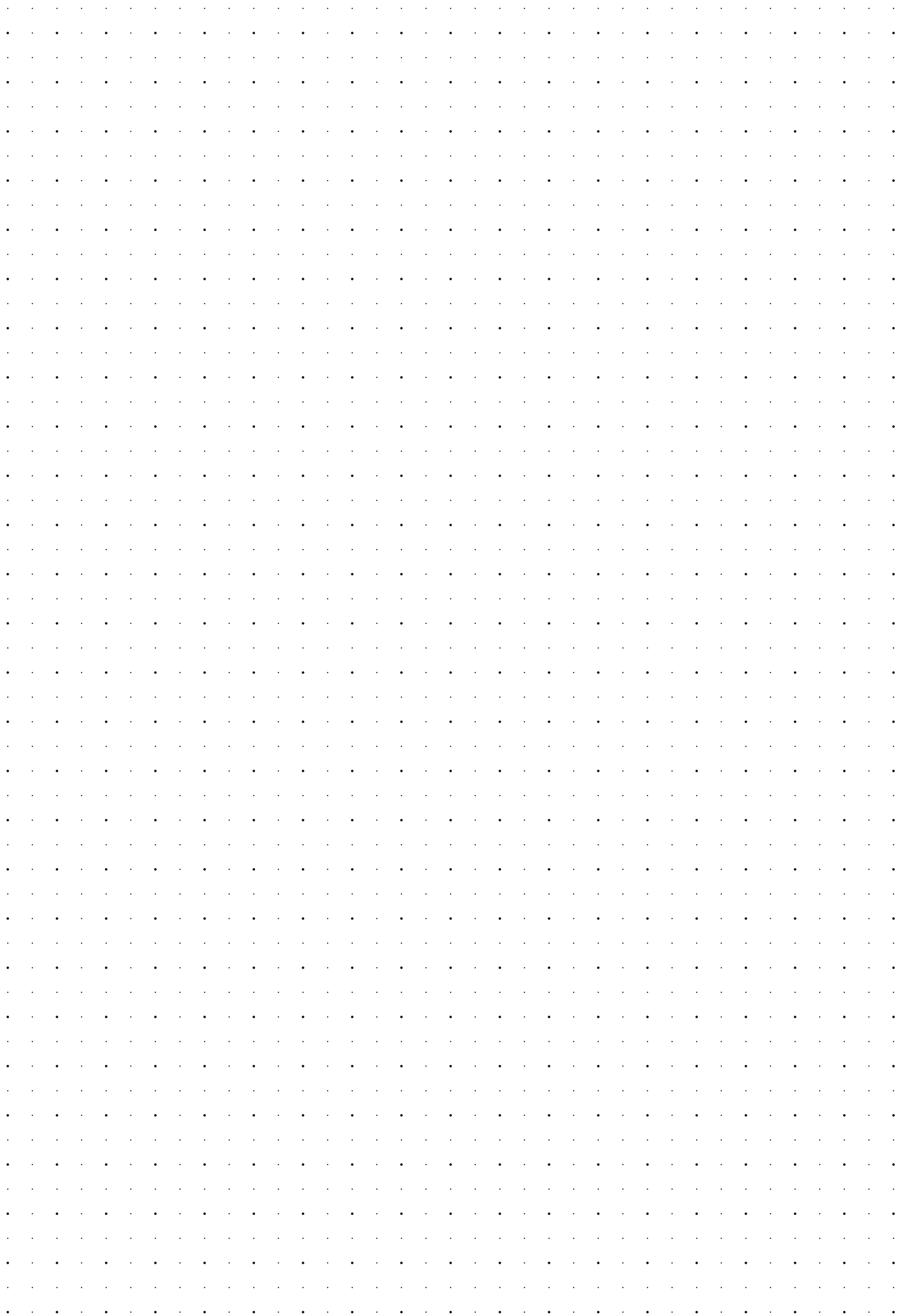
Warranty

Lifetime limited warranty applies to the cabinet and speaker.

(Refer to the details on the warranty card supplied)

Queries

If you have any queries regarding the IC-50, IC-52 or any other Krix product, please contact your nearest Krix dealer.



Krix Loudspeakers Pty Ltd
14 Chapman Road
Hackham SA 5163
Australia

T 61 8 8384 3433
F 61 8 8384 3419
listen@krix.com

BRH.O IC50 01

krix.com