



ENCORE



s c r e e n s

# Tab-Tensioned Motorised In-Ceiling Screen User Manual

# CONTENTS

GENERAL NOTES .....	2
SAFETY GUIDE.....	3
CONTENTS INCLUDED IN BOX .....	3
INSTALLATION NOTES.....	5
PREPARING INSTALLATION .....	5
HANGING INSTALLATION.....	7
SCREEN SETUP .....	8
SCREEN OPERATION .....	11
ADJUSTING LIMIT SWITCHES.....	11
OVERHEAT PROTECTION .....	12
FUSE REPLACEMENT .....	13
SCREEN CARE .....	13
WARRANTY CARD.....	14

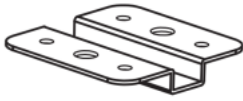
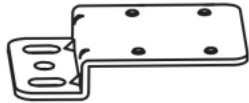
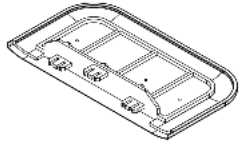
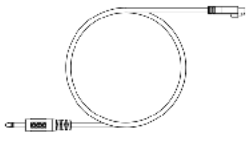
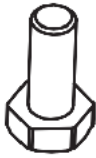

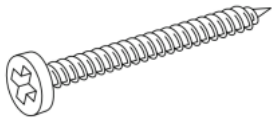
# GENERAL NOTES

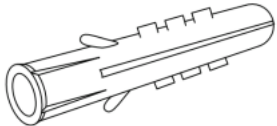
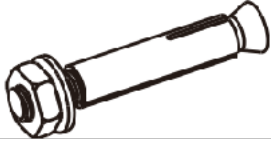
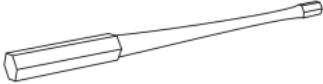



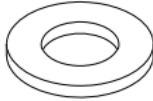


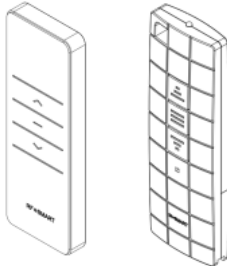
1. Thank you for choosing our projection screen for your home or business. Please read the user manual carefully before proceeding. Follow the provided instructions to complete installation quickly and safely and keep in a safe place for future reference.
2. Do not attempt to service or modify this unit without professional assistance.
3. Only use attachments and accessories approved by the manufacturer.
4. Please ensure there are no other objects such as power switches, outlets, furniture, and windows occupying the space designated to hang the screen.
5. Make sure that the proper mounting anchors are used and the weight of the screen is supported. If you are unsure whether your mounting method can support your screen, please consult a home improvement specialist.
6. To avoid damaging the screen, do not fold the screen or touch the screen directly with your hands, tools, or any other abrasive/sharp object.
7. When not in use, retract the screen to protect the optical surface from dirt, dust, grime, or any other impurities.
8. When cleaning, use a soft damp cloth with warm water or diluted liquid detergent to remove any marks on the casing or on the screen surface. Never attempt to use any solutions containing corrosive chemicals or abrasive cleaners on the screen surface.
9. Do not use in a wet environment.
10. Do not run the screen continuously for over 4 minutes as the motor has an anti-overheating function and will shut down. If this happens, let the motor cool down for 5-20 minutes and continue use.
11. Unplug the projection screen when not in use for extended periods of time.
12. Curvature will appear in the edge of fabric when fabric is extended completely. This is a common phenomenon and the curvature will gradually disappear after you hang the screen for about ten minutes.
13. Spare parts should be stored out of reach of small children in accordance with household safety.
14. Refer all servicing to a qualified service personnel. Servicing is required when this unit has been damaged in ways such as: power supply cord or plug damage, spilled liquid on/in the unit, fallen objects into this unit, this unit has been dropped, or this unit has been exposed to direct rain/moisture. Do not operate if the above damage has occurred.
15. We will not be responsible for damages done due to user error or false operation.

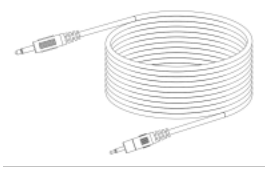

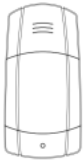
# SAFETY GUIDE

1. Have two people present when installing the screen.
2. Do not stand underneath the screen when mounting or hanging. Expansive bolts should be firmly attached and fixed into the wall or ceiling.
3. Be sure the ground wire is connected with the power cable to avoid electric shock.

## CONTENTS INCLUDED IN BOX

Reference	Name	Pictures	Quantity
A1	Ceiling Brackets		2
A2	Screen Brackets		2
A3	Plastic Cover with IR Receiver Cable		2
			1
A4	Screws		8
A5	Threaded Mounting Rods		2
A6	Self-Tapping Screws		8

A7	Screws Cover		8
A8	Anchor Bolts		4
A9	Adjustment Tool		1
A10	Screw Nut		8
A11	Screw Nut		8
A12	Screw Nut		4
A13	Washer		8
A14	Washer		4
A15	Wall Control		1
A16	RF Remote & IR Remote		1 Set

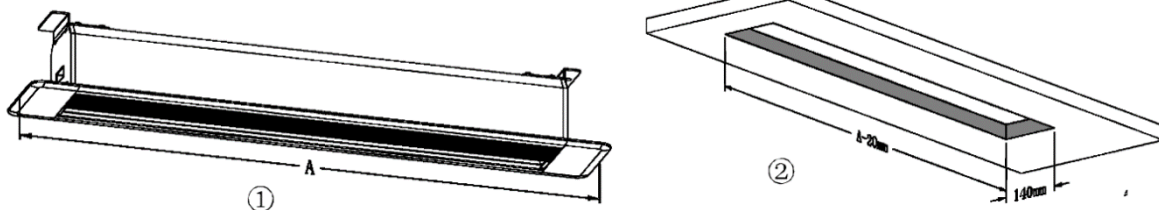
A17	12V Wire Trigger		1
A18	RS232		1
A19	12V Wireless Trigger		1

## INSTALLATION NOTES

- An electric drill with drill and driver bits as well as a level are necessary for installation.
- Install the screen away from direct sunlight to keep screen material exposure to UV at a minimum.
- Install in a room without excess humidity.
- Only install the screen if it is in an electrically stable environment.
- Keep the screen away from devices (heaters, etc.) that cause large changes in temperature and humidity.
- Handle screen with care, avoid vibrations and drops.

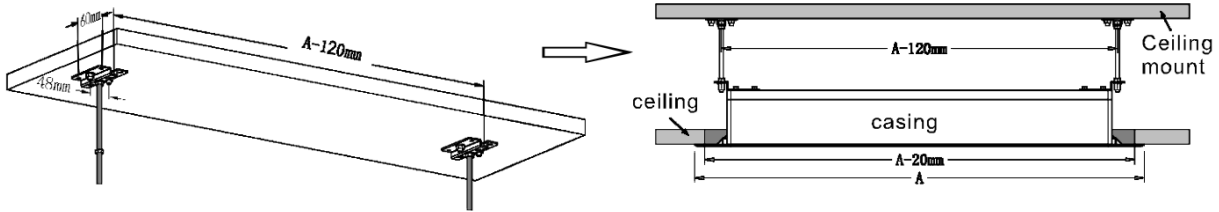
## PREPARING INSTALLATION

Measure the length of the trim panel “A” (depending on your screen size) and make an opening in your ceiling of the following size: (“A” Minus 20mm by 140mm).



*The length of the opening will be the length of the trim panel with 20mm subtracted. The width will be 140mm.*

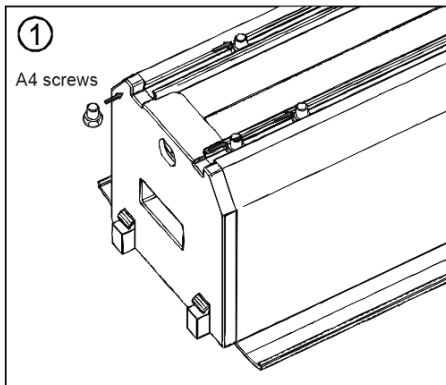
The distance between the two ceiling brackets will be the length of your trim panel “A” subtract 120mm.



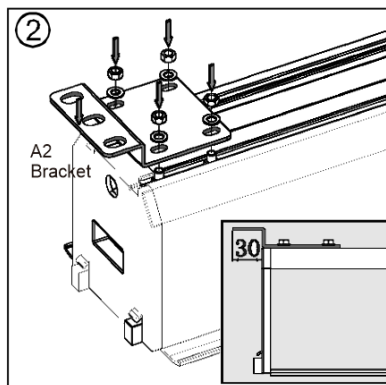
There is 48mm between the right and left screw holes on the ceiling bracket.  
There is 60mm between the front and rear screw holes on the ceiling bracket.

**Note:** Expansion screws/anchors are needed depending on the ceiling material. Always ensure that the ceiling can support the weight of the screen.

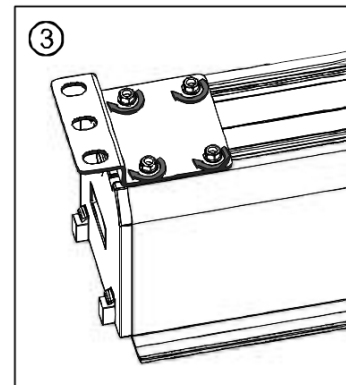
### ASSEMBLE THE COMPONENTS



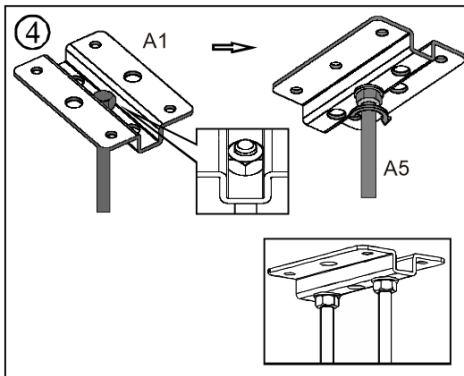
Slide 4 of the screws (A4) into the rail located on top of the screen.



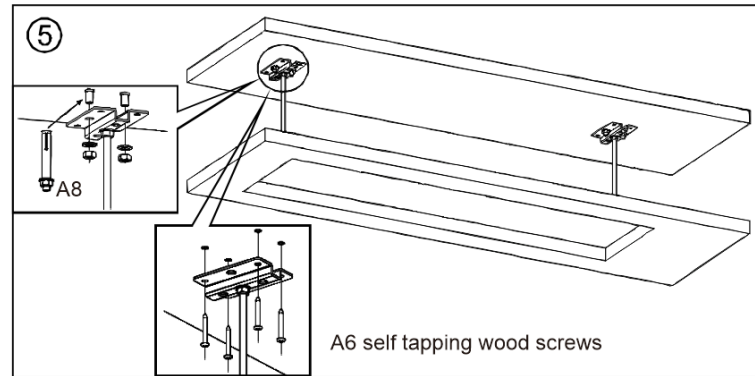
Install the screen bracket (A2) while leaving 30mm out from the edge of the screen.



Tighten the bracket nuts. This will ensure the screen does not slide or vibrate during installation.

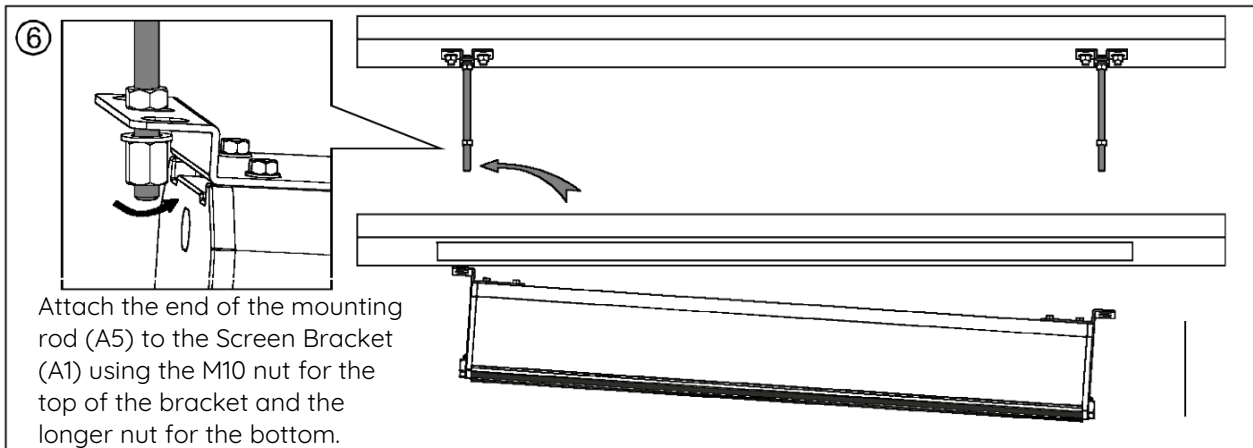


Attach the threaded mounting rod (A5) to the ceiling bracket (A1) on the top and bottom of the bracket using the M10 nuts and washers provided.

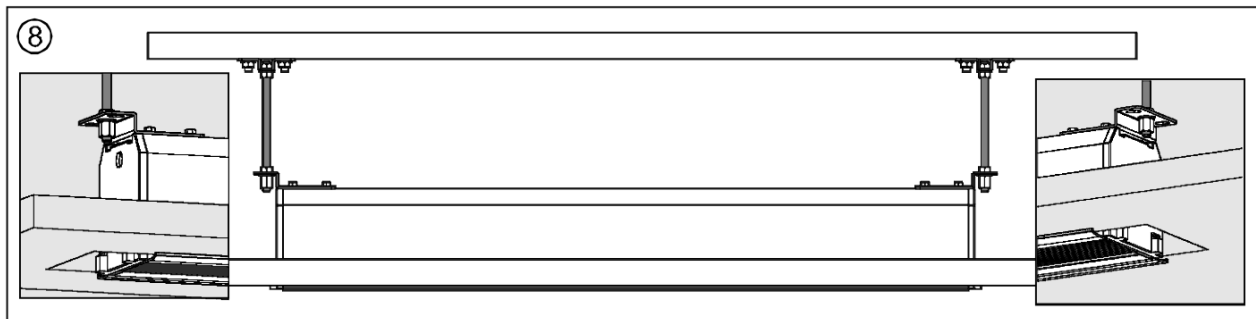
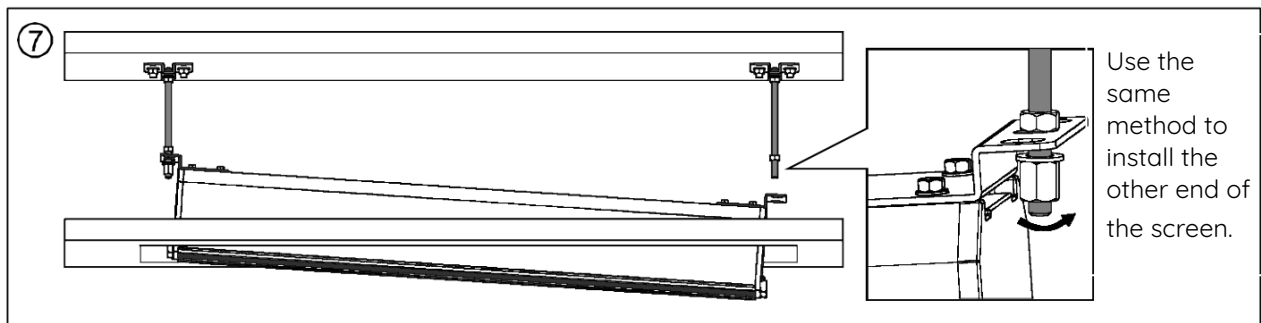


Use the A8 anchor bolt for a concrete ceiling or the A6 self-tapping screws for a wood ceiling. Attach the A1 bracket to the ceiling in the desired location. It is highly recommended that you provide your own ceiling screws and other hardware that suits your mounting method.

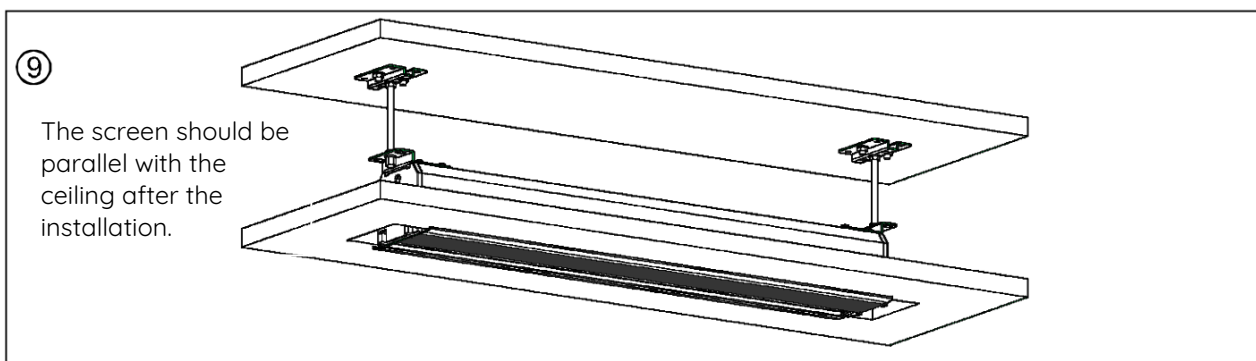
# HANGING INSTALLATION



*Be sure to leave enough space so the bracket can move when installing the other end.*



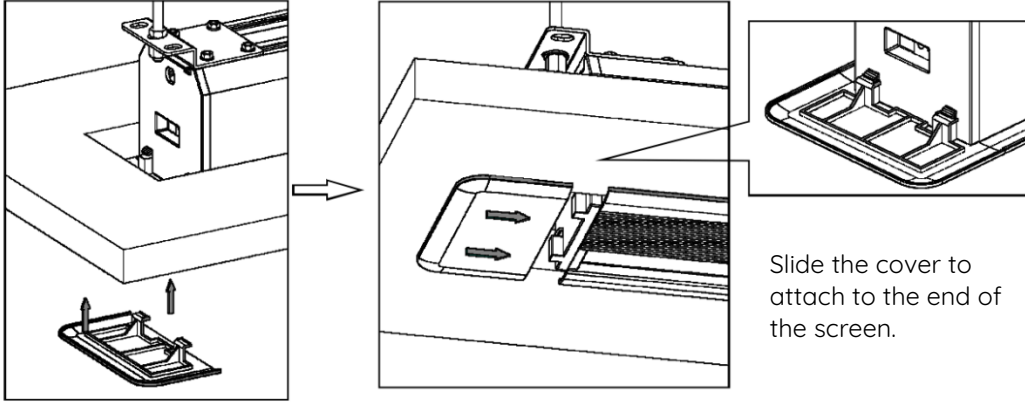
Adjust the position of the screen after hand tightening all the nuts. Leave as little gap as possible.





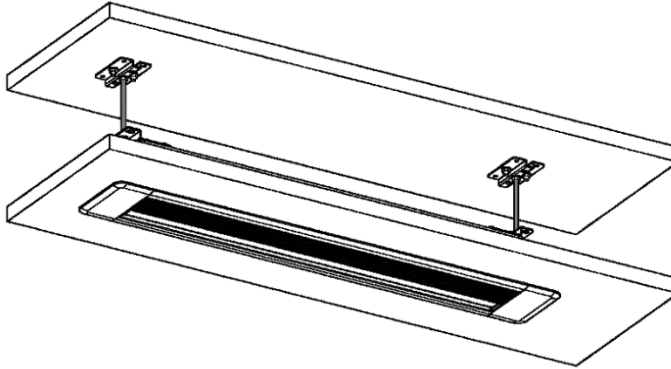
10

Clip in the plastic covers as shown.



Slide the cover to attach to the end of the screen.

11

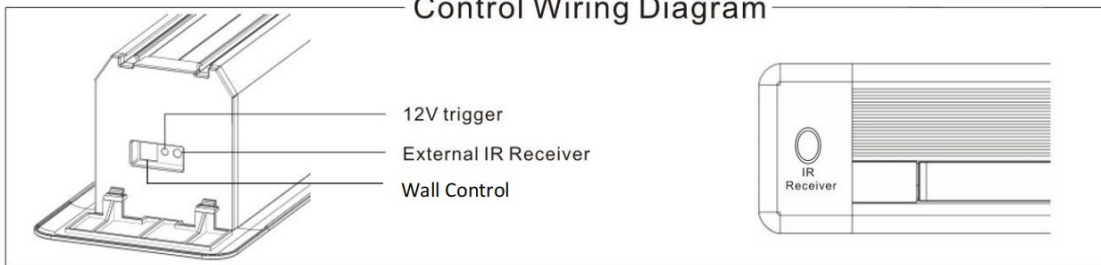


The screen installed should leave no gaps in the ceiling as shown.

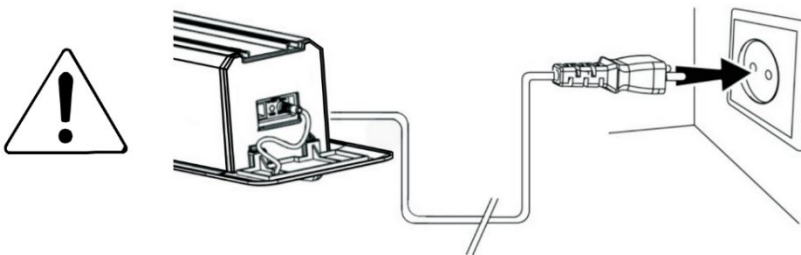
Note: Make sure all connections are compatible and properly connected.

## SCREEN SETUP

### Control Wiring Diagram



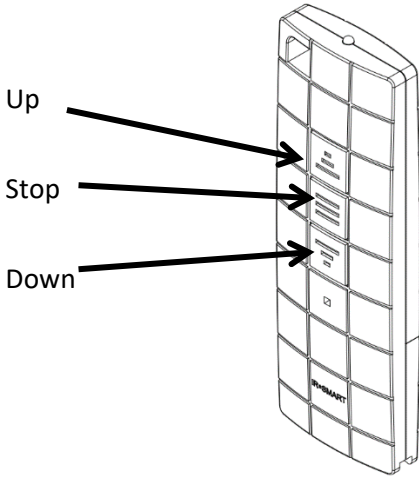
**Power Connection: Always use the correction connection and power voltage.**



Do not attempt to hard-wire the screen unless done by a certificated electrician.

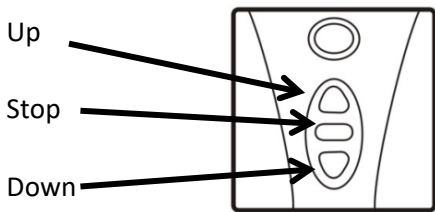
### **PAIRING THE IR REMOTE CONTROL**

The IR remote control has been set up at the factory and should work right away. If this is not the case, please contact your dealer to get a replacement remote. Make sure the remote is pointing the IR window at the left side of screen housing.



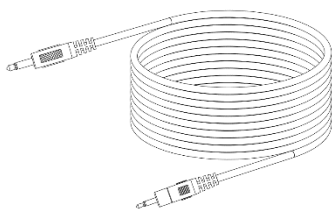
### **WALL CONTROL INSTALLATION**

Insert the wall control cable into the port shown on the previous page. The wall control is as shown below.



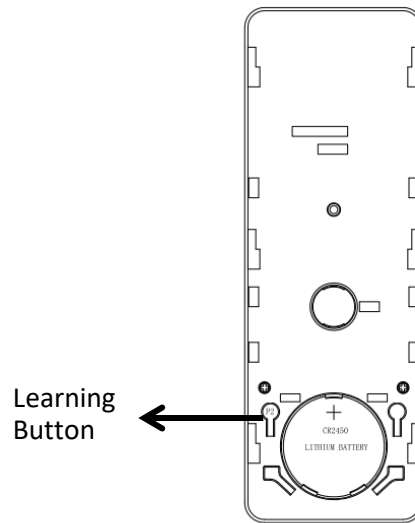
### **12V TRIGGER INSTALLATION**

The 12V trigger is an optional feature which allows the screen to automatically be lowered when the projector turns on and retracted when the projector turns off. Insert the cable of the wired trigger into the port to the 2.5mm jack at the power side of screen housing. Most projectors require a 3.5mm mono jack for the 12V trigger - this is not always the case and occasionally the wires by itself are sufficient. And then plug the 3.5mm jack end to the projector. Make sure the trigger mode in projector is activated. If the wire is not long enough, please splice with any low voltage wires, i.e. cat 6 wire.



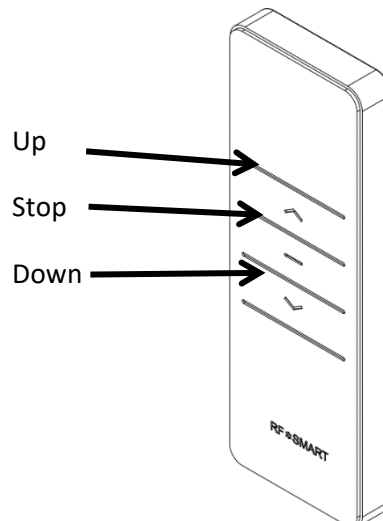
### **PAIRING THE RF REMOTE**

The RF remote control has been set up at the factory and should work right away. If this is not the case, you will need to use the learn function to program the remote. Remove the back cover of the remote control to reveal the learning button as shown below. Connect the power cable and listen for 1 beep from the motor. When you hear the beep, point the remote at the screen and press the learning button twice followed by the up button. The remote is now paired to the screen.



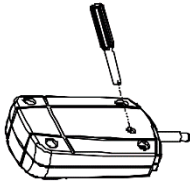
### **RESETTING THE RF REMOTE CONTROL**

To reset the RF remote control, open the back case of the RF Remote control and follow the sequence of pressing buttons: learn button->stop button->learn button. After 3 beeps, the code is deleted. Follow the steps above to reconnect the remote.

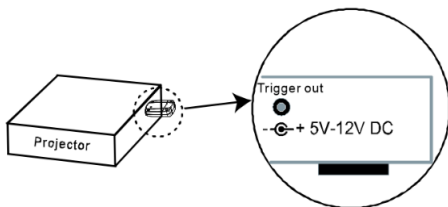


## 12V WIRELESS TRIGGER

The wireless trigger has been set up at the factory and should work right away, however if this is not the case you will need to use the learn function.

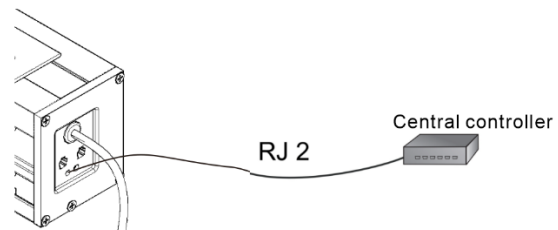


Open the back case of the remote control. Then press the Learning Button twice and you will hear a beeping sound. At this time, press the Learning Button in the wireless trigger. When you hear the beeping sound, the wireless trigger is paired to the screen.



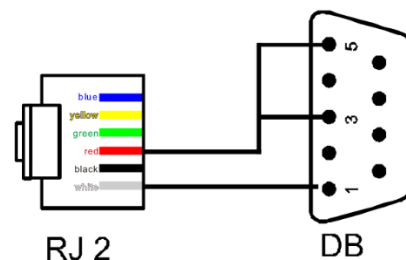
Plug the trigger into the trigger port of your projector to synchronize the screens up and down function with the projectors power cycle. When the projector power is turned on, the screen will come down and when the power is turned off the screen will retract automatically.

## RS232 SERIAL PORT CONTROL (OPTIONAL)



Baud rate	2400	Default HEX code	
Data bit	8	FF 10 11 00 DD	UP
Parity	N	FF 10 11 00 EE	Down
Stop bit	1	FF 10 11 00 CC	Stop

After adjusting the serial port setting, connect the RJ2 and RS232 according to the diagram. Fill in the HEX code into the serial control software and press the learn button for about 1 second. The LED will start flashing. Release the learn button this will send the code from the serial control software. LED will stop flashing. Once the learning process is complete, the screen will be controlled by the serial port.

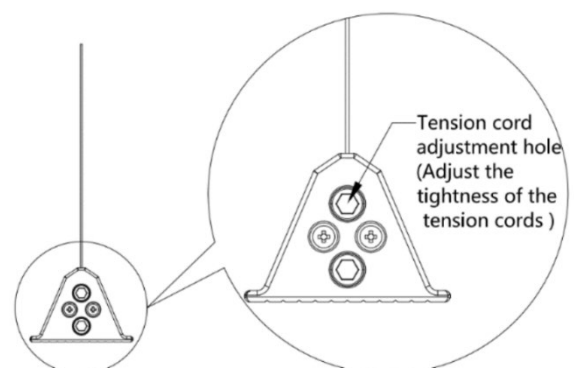


## ADJUSTING THE TENSION CORD

The tension cord keeps the screen flat and under a moderate amount of tension horizontally. If the projection screen has ripples, then the tension cord may need to be adjusted. Wait 10 minutes with the screen extended and if the ripples are still present, then follow the steps below to adjust the tension cord.

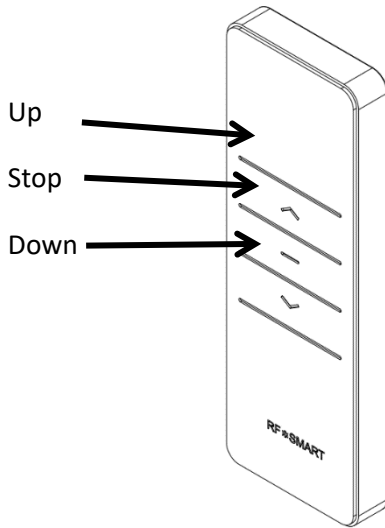
Only use the upper adjustment hole as the lower adjustment hole is adjusted correctly at the factory. The tension cord is tightened when turned counter-clockwise and loosened when turned clockwise. Slowly tighten the tension cord with the adjustment tool. If the ripples worsen, loosen the tension cord. A moderate amount of tension is ideal.

*Note that the direction of loosen or tighten the tension cords may be different. It does not affect the function.*



# SCREEN OPERATION

Operating the screen with the wall control, RF remote, and the IR remote have the same controls. The IR remote should be pointed at the IR receiver which is located at the left side of the housing.



## Lower the Projection Surface

Press the bottom button on the control unit and the projection surface will lower itself. When it is fully extended it will stop automatically.

## Retracting the Projection Surface

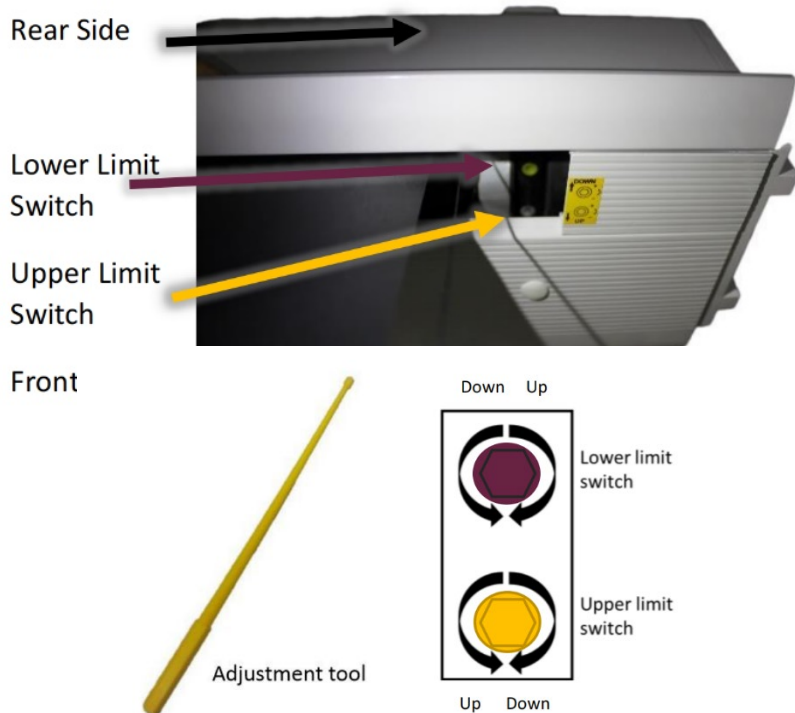
Press the top button on the control unit and the projection surface will retract into its case. When it is fully retracted it will stop automatically.

## Stopping the Projection Surface

Press the middle button on the control unit to stop manually at an intermediate position.

# ADJUSTING LIMIT SWITCHES

Limit switches are located on the left side of the screen and inside the housing. The limit switches should only be adjusted with the provided adjustment tool. The picture below shows a bottom view from the backside of the housing.



## LOWER LIMIT

The lower limit switch is burgundy and can be adjusted for increasing or decreasing the amount of upper black drop on your screen. Turning the burgundy lower limit switch clockwise will cause the lower limit to be closer to the housing and counter-clockwise will make the lower limit further away from the housing.

The limits that are set determine the point where the screen will stop lowering or retracting. By initially adjusting the lower limit, the screen will stop at the perfect location automatically for maximum convenience.

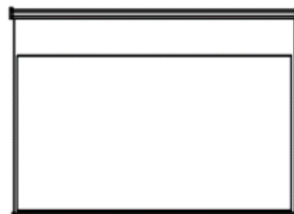
The first time the lower limit is being adjusted, it may take a few cycles for the screen to move up. This is normal and be patient as to not damage the screen. If the screen pauses during adjustment, wait 15-20 minutes for the motor to cool and continue adjusting.

## UPPER LIMIT

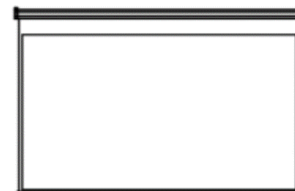
The upper limit switch is yellow and does not need to be adjusted as it is pre-set from the factory. If necessary, taking the round cap off and turning the yellow upper limit switch clockwise will cause the upper limit to be further away from the housing and counter-clockwise will make the upper limit closer to the housing.

## REDUCING BLACK DROP

To decrease the amount of black drop, first lower the screen and turn the burgundy lower limit switch clockwise twice. Retract the screen then lower the screen again and where it stops is the new lower limit. Repeat until the desired height is reached.



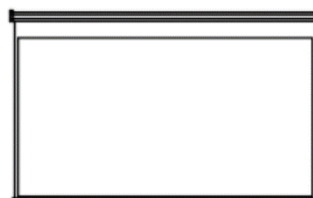
before lower limit adjustment



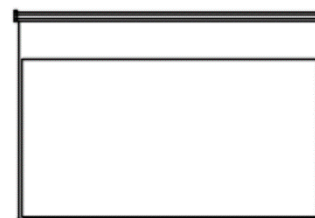
after lower limit adjustment

## INCREASING BLACK DROP

To increase black drop, lower the screen so it is fully extended. Using the adjustment tool, turn the burgundy limit switch counter-clockwise and the screen will drop in small increments without needing to cycle the screen. Continue rotating until the screen is in the desired position.



before lower limit adjustment



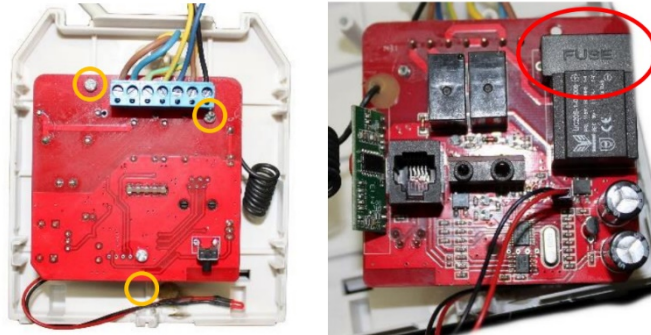
after lower limit adjustment

# OVERHEAT PROTECTION

The motor used in this screen has an overheat protection feature. When the motor runs for an extended period, the motor will stop working to prevent overheating which would cause damage to the motor. If this happens, wait 15-20 min for the motor to cool off & continue use.

# FUSE REPLACEMENT

There is a fuse located on the screen's circuit board to prevent additional electrical damage to the unit in an electrically unstable environment. If the screen appears to have no power while the outlet provides power, the fuse may be blown. It is the user's responsibility to provide an electrically stable environment for the unit, and to replace the fuse if required.



Remove the side of the housing with the power cable and take off the side covering. Carefully pull out the side of the housing while ensuring no wires are damaged. Remove the screws (circled right) and remove the circuit board carefully. Turn the circuit board over and locate the fuse case. Open the fuse case (circled far right) and see if the fuse is blown. If this is the case, remove the fuse from the plastic casing using tweezers or a lever to remove. Replace the fuse with the same model as the one removed. The model will be labelled on the fuse. Replace the fuse cover, put the circuit board back in its original location and replace the side cover.

# SCREEN CARE

The surface of your screen is delicate. Special attention to these instructions should be followed when cleaning.

- A draftsman-style brush may be used to lightly whisk away any loose dirt or dust particles.
- Please ensure there are no other objects such as power switches, outlets, furniture, and windows occupying the space designated for the screen.
- For tougher spots, use a solution of mild detergent and water. Rub lightly using a sponge. Blot with a damp sponge to absorb excess water. Residual watermarks will evaporate within a few minutes.
- Do not use any other cleaning materials on the screen. Contact your dealer if you have questions about removing difficult spots.
- When not in use, retract the screen to protect the optical surface from dirt, dust, grime, or any other impurities.
- Do not run the screen continuously for over 4 minutes as the motor has an anti-overheating function and will shut down. If this happens, let the motor cool down for 5-20 minutes and then continue use.
- The fabric might endure some pressure during transport and storage. Most pressure marks on the fabric will straighten out, but if some remain, please fully open the screen for 24 hours.
- Please make sure the fabric is **never** exposed to heat EG; sunlight, as this may damage the screen-fabric.

# WARRANTY CARD

**PERSONAL RECORD** – Please fill out and retain this page along with your original receipt.

Title: \_\_\_\_\_

First Name: \_\_\_\_\_

Surname: \_\_\_\_\_

Email Address: \_\_\_\_\_

Contact number: \_\_\_\_\_

Residential Address: \_\_\_\_\_

Product Code: \_\_\_\_\_

Retailers Name: \_\_\_\_\_

Retailers Branch Address: \_\_\_\_\_

Date of Purchase: \_\_\_\_\_

**REASON FOR WARRANTY CLAIM:**

\_\_\_\_\_  
\_\_\_\_\_  
\_\_\_\_\_  
\_\_\_\_\_  
\_\_\_\_\_  
\_\_\_\_\_  
\_\_\_\_\_  
\_\_\_\_\_  
\_\_\_\_\_  
\_\_\_\_\_  
\_\_\_\_\_  
\_\_\_\_\_  
\_\_\_\_\_  
\_\_\_\_\_  
\_\_\_\_\_  
\_\_\_\_\_  
\_\_\_\_\_  
\_\_\_\_\_  
\_\_\_\_\_  
\_\_\_\_\_  
\_\_\_\_\_